



Model number

Barcode reader

Features

- Approved for Zone 1 and 21 (ATEX)
- Reliable reads damaged and dirty barcodes using the patented Puzzle Solve™ technology
- Functional reliability guaranteed after fall from 2 m
- All 1D standard barcode families supported
- Aiming system with a red spot for safety reading

Function

PScan-M is the wireless handheld barcode reader of the barcode reader family PowerScan. The wireless barcode system comprises the handheld barcode reader, the base station PScan-B and the charger PScan-C.

The wireless barcode system is suitable for use in hazardous areas that corresponds to Zone 1 + 21 (ATEX) in operating data acquisition or logistics applications.

PScan-M in combination with the base station PScan-B can be used as standalone-system as well as in combination with VisuNet operator stations or TERMEX operator panels in hazardous areas.

Technical Data

General specifications

Radio distance (in open air)	max. 50 m
Light type	laser diode 630 ... 680 nm
Readable codes	2/5 Family, Code 39, (plus Code 32, Clip 39), EAN/UPC, EAN 128, Code 128, Code 93, CODABAR, Code 49, Code MSI, Code 11, Code 16K, ISBN/ISSN, ISBT 128, GS1DataBar™ (once RSS)
Laser class	Class 2 - EN 60825-1, CDRH
Scan rate	30 ... 40 s ⁻¹
Beam deviation angle	max. 42 °
Read distance	60 ... 1100 mm
Resolution	0.076 mm (3 mils)
Operating duration	approx. 20000 reads / recharge

Electrical specifications

Battery type	NiMH battery
Charging time	max. 3 h

Directive conformity

Electromagnetic compatibility R&TTE Directive 1995/5/EC	ETSI EN 301489-1-V1.8.1:2008
Explosion protection Directive 94/9/EC	IEC 60079-0:2011 , EN 60079-11:2012

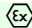
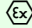
Ambient conditions

Operating temperature	-10 ... 40 °C (14 ... 104 °F)
Storage temperature	-10 ... 40 °C (14 ... 104 °F)
Relative humidity	90 % , noncondensing

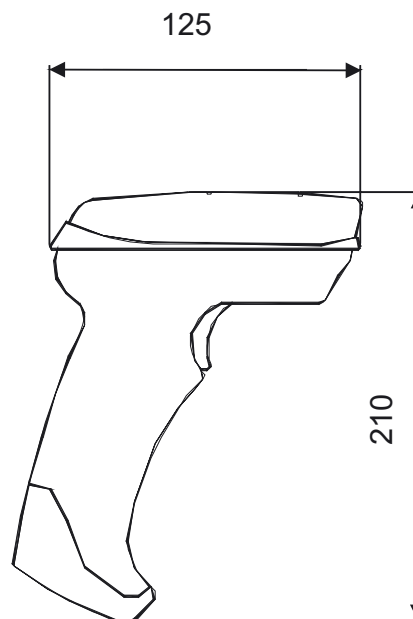
Mechanical specifications

Protection degree	IP44
Mass	460 g
Dimensions	125 mm x 70 mm x 210 mm

Data for application in connection with Ex-areas

EC-Type Examination Certificate	BVS 10 ATEX E 146
Group, category, type of protection	 II 2G Ex ib [op is] IIB T4 Gb  II 2D Ex ib [op is] IIIB T135°C Db
Maximum safe voltage (charge contacts) U _m	8 V

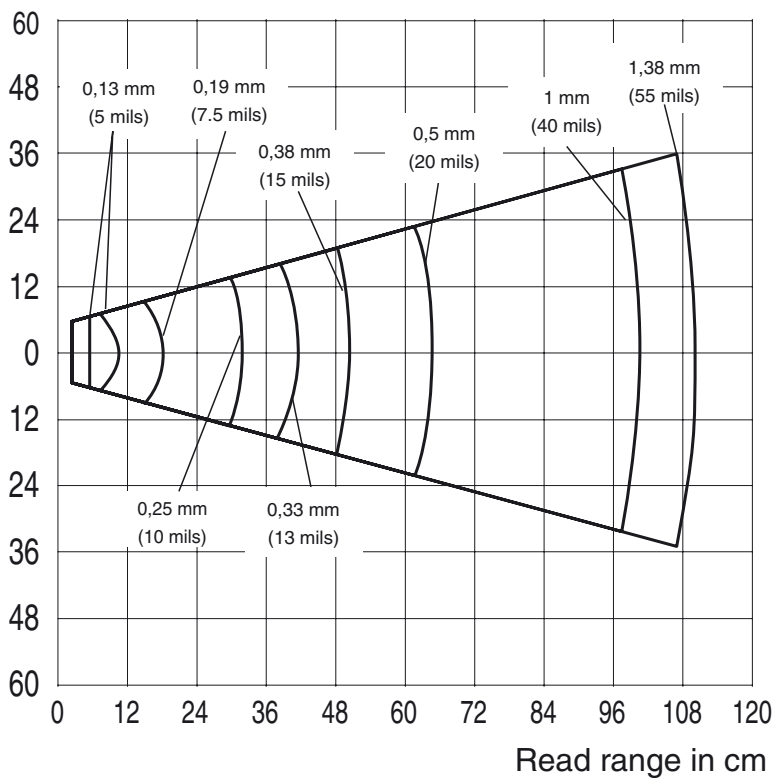
Dimensions



Curves/diagrams

Reading characteristics

Read field width in cm



Ordering information

Model number	Description
PSCAN-M-1V-F2-EU-10-N	Wireless handheld barcode reader Linear with display ATEX II 2G, Ex ib [op is] IIB T4 Gb ATEX II 2D, Ex ib [op is] IIIB T135°C Db 433 MHz Europe Version 1.0 No options