



Model number

Barcode reader for use in harsh industrial conditions

Features

- Approved for Class I/Div 2 and Class II/Div 2 areas
- Temperature range: -10 ... +50 °C
- Aiming system with a red spot for safety reading
- Triple green light (3GL™) for good read feedback
- Supports 1D GS Databar™ linear barcodes
- Drop resistance up to 2 m (6.5 ft)
- Capture damaged or dirty barcodes with patented Puzzle Solve™ technology
- Aim and click up to 1 m (3 ft) away
- Nonincendive Division 2 barrier required

Function

PSCAN devices are barcode readers for use in harsh industrial conditions. Typical applications comprise data logging and logistics.

Barcode readers are available as wired barcode readers and read standard 1D barcodes.

Wired barcode readers are especially suitable for stationary use, where the focus is on secure and fast data transmission.

Technical Data

General specifications

Light type	laser diode 630 ... 680 nm
Readable codes	2/5 Family, Code 39, (plus Code 32, Clip 39), EAN/UPC, EAN 128, Code 128, Code 93, CODABAR, Code 49, Code MSI, Code 11, Code 16K, ISBN/ISSN, ISBT 128, GS1DataBar™ (once RSS)
Laser class	Class 2 - EN 60825-1, CDRH
Scan rate	30 ... 40 s ⁻¹
Beam deviation angle	max. 42 °
Read distance	60 ... 1100 mm
Resolution	0.076 mm (3 mils)

Electrical specifications

Operating voltage U _B	5 V DC
Current consumption	100 mA

Interface

Interface type	USB or RS232
----------------	--------------

Directive conformity

Electromagnetic compatibility	
Directive 2004/108/EC	NE 21:2006
Low voltage	
Directive 2006/95/EC	EN 60950

Ambient conditions

Operating temperature	-10 ... 50 °C (14 ... 122 °F)
Storage temperature	-20 ... 60 °C (-4 ... 140 °F)
Relative humidity	90 % , noncondensing

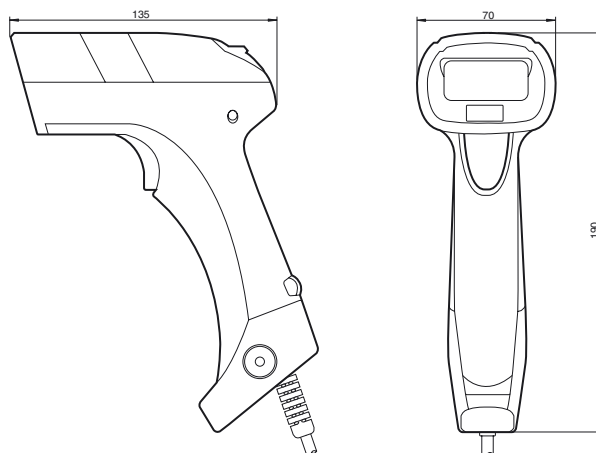
Mechanical specifications

Protection degree	IP44
Mass	340 g
Dimensions	190 mm x 135 mm x 70 mm
Cable length	2.44 m stretched

Data for application in connection with Ex-areas

EC-Type Examination Certificate	cETLus
Group, category, type of protection	Class I, II, III/Div 2; Groups C, D, F, G; T4

Dimensions



Accessories

Non-incendive barrier

Non-incendive barrier

Curves/diagrams

Reading characteristics

Read field width in cm

